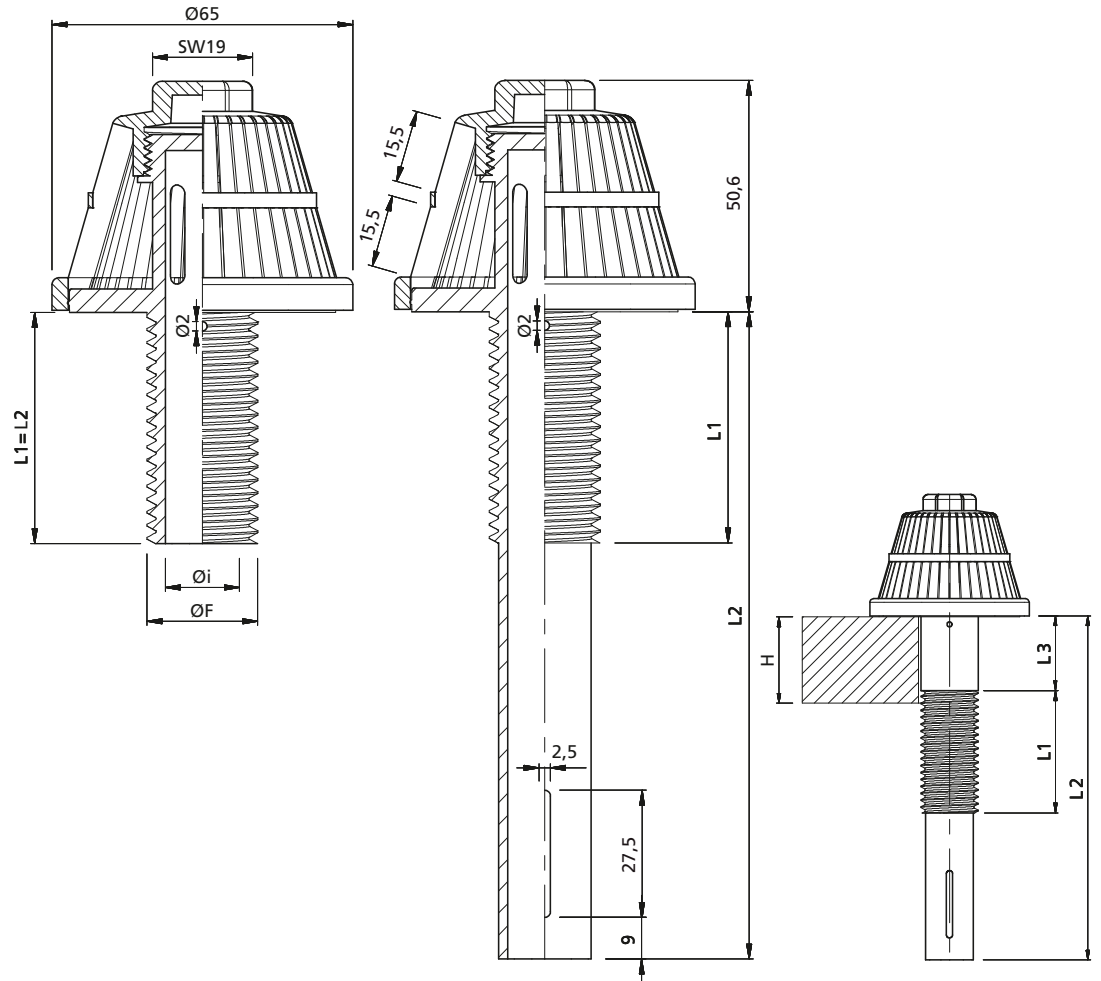


# T

## UGELLI A FESSURE VERTICALI FILTER NOZZLES WITH VERTICAL SLOTS



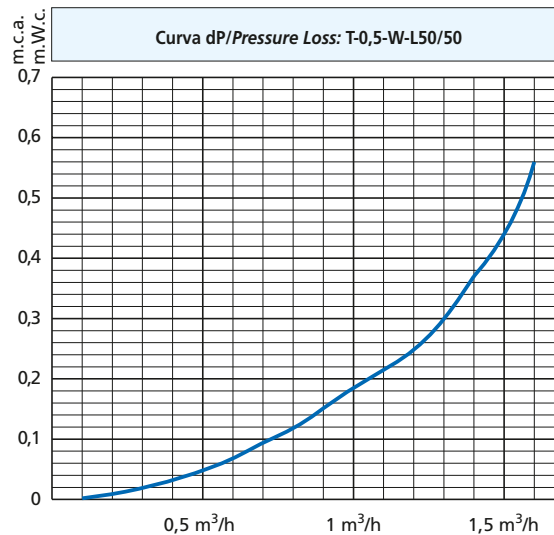
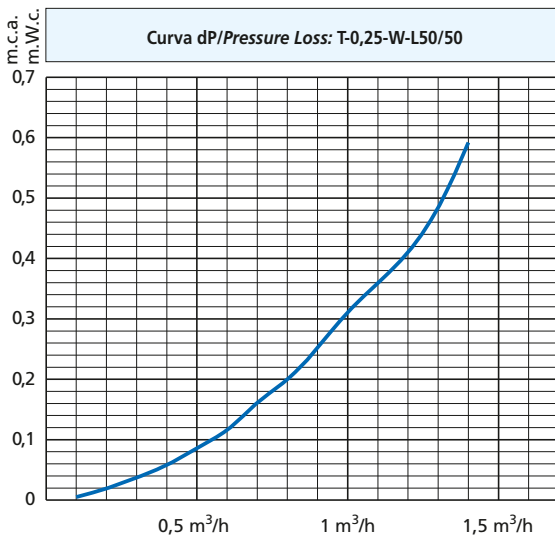
- Universale
- Ampia superficie filtrante
- Robusto ed economico
- Ampia gamma di filetti e codoli
- Multipurpose
- Wide filtering area
- Strong and inexpensive
- Wide set of threads and stems



Tipo Type	Fessura Slot width mm	N. Fessure Slots No.	Sezione Area mm <sup>2</sup>
T	0,25	40	310
	0,40	40	496
	0,50	40	620

Materiale/Material:	PP - PPVF - PVDF
---------------------	------------------

Filetto Thread	ØF mm	Øi mm	Area codolo Stem area mm <sup>2</sup>	L1 mm	L2 mm	L3 mm
1/2"G	20,9	14	154	15, 20, 30, 50	20, 30, 50, 80, 100, 120, 140, +5.....300	max=(300-L1)
3/4"G	26,3	16	200	18, 20, 30, 50	20, 30, 50, 80, 100, 120, 140, +5.....400	max=(400-L1)
1"G	33,2	21	346	35	20, 30, 50, 80, 100, 120, 140, +5.....400	max=(400-L1)
M20 x 2,5	20	14	154	20, 50	20, 30, 50, 80, 100, 120, 140, +5.....300	max=(300-L1)
M24 x 3	24	16	200	30, 50	20, 30, 50, 80, 100, 120, 140, +5.....400	max=(400-L1)
M27 x 3	27	16	200	20	20, 30, 50, 80, 100, 120, 140, +5.....400	max=(400-L1)
M30 x 3,5	30	21	346	30, 50	20, 30, 50, 80, 100, 120, 140, +5.....400	max=(400-L1)
7/8"W	22,2	14	154	30	20, 30, 50, 80, 100, 120, 140, +5.....300	max=(300-L1)
15/16"W	23,5	16	200	20, 30, 40, 50, 70	20, 30, 50, 80, 100, 120, 140, +5.....400	max=(400-L1)
1"W	25,4	16	200	20, 25, 30, 50	20, 30, 50, 80, 100, 120, 140, +5.....400	max=(400-L1)
1.1/4"W	31,75	21	346	25, 30, 50	20, 30, 50, 80, 100, 120, 140, +5.....400	max=(400-L1)



**NOTE**  
Su richiesta, può essere fornita la curva caratteristica di dP di tutti gli ugelli prodotti da ILMAP.

On demand, the dP characteristic curve of all the nozzles made by Imap can be supplied.